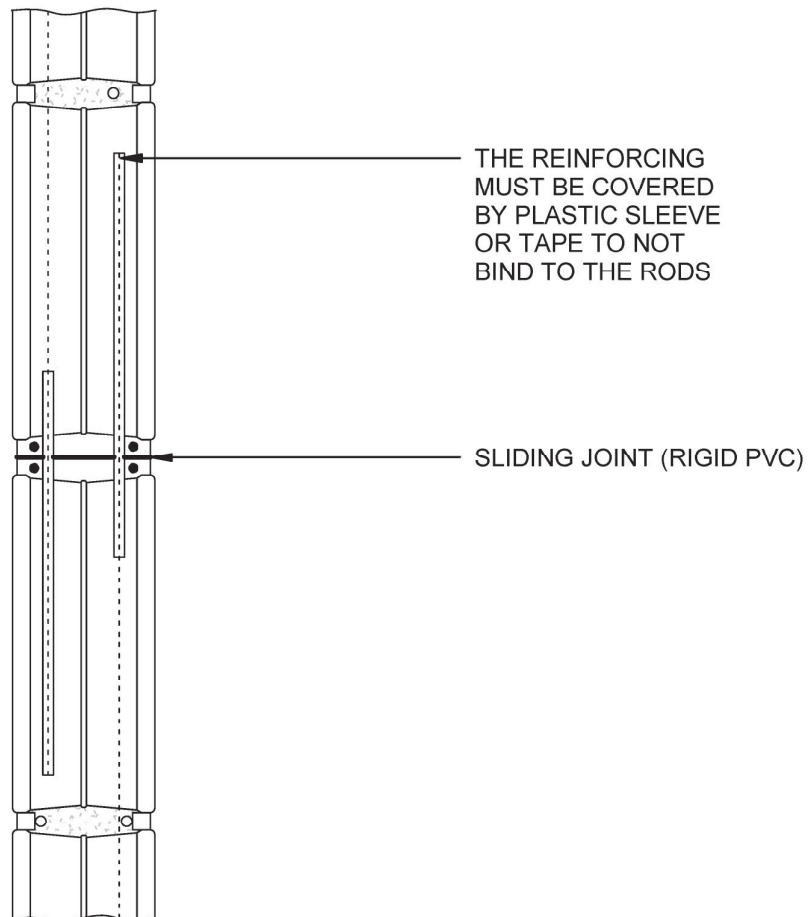


INTERMEDIATE VERTICAL EXPANSION JOINT MAX. 6 METERS



INTERMEDIATE HORIZONTAL SLIP JOINT MAX. 6 METERS