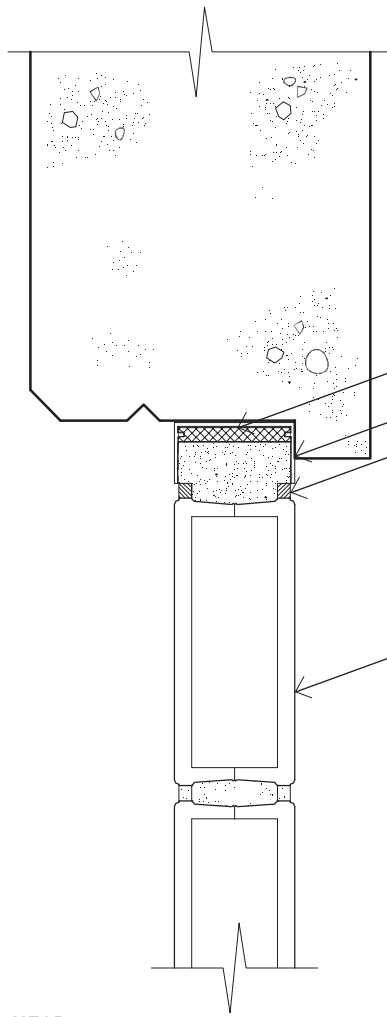


SILL



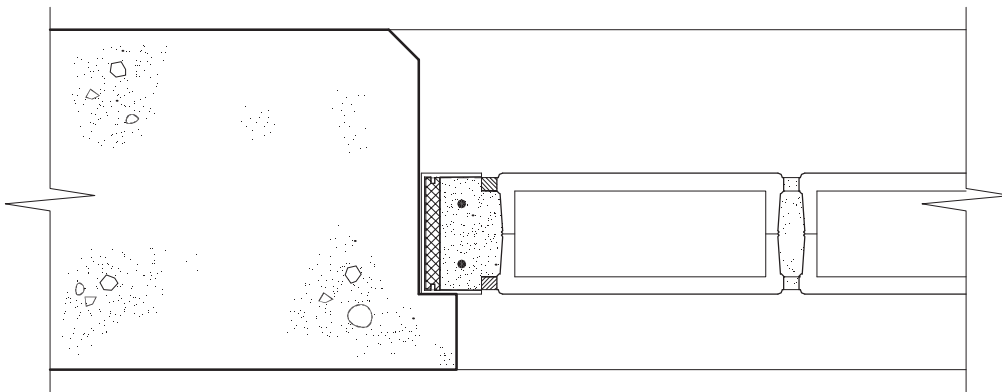
HEAD

EXPANSION JOINT
TO HEAD AND JAMB ONLY

OBECO GLASS BLOCK CHANNEL

SILICONE PERIMETER JOINT

OBECO GLASS BLOCKS



JAMB